

FLO-LINE CORPORATION

171/173, NAGDEVI STREET, 303, SK HOUSE, MUMBAI: 400003. (INDIA)
 TEL: +91-22-23453019. FAX: +91-22-23432440. EMAIL: floincorp@gmail.com

SCV # 150

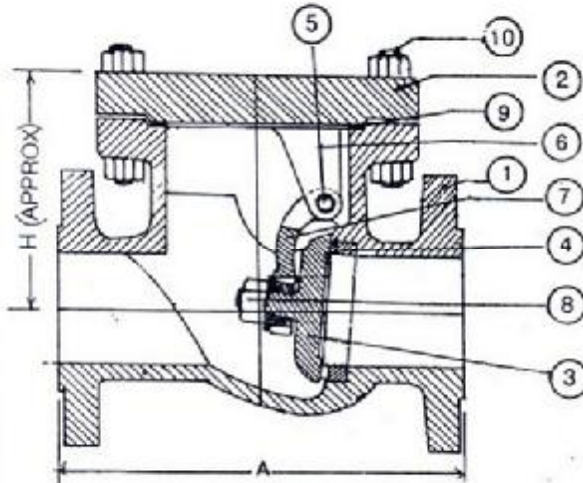


INDUSTRIAL VALVES

SWING CHECK VALVE - CLASS 150

DATE :

REF: DRG. NO.SCV-150



H Nos. K Ø HOLES ON
 M P.C.D DRILLED OFF CENTRE
 EQUISPACED

Sl. No.	PART NAME	QTY	MATERIAL
1	BODY*	1	ASTM A216 Gr. WCB ASTM A351 Gr. CF8/CF8M/CN7M
2	COVER PLATE	1	ASTM A216 Gr. WCB ASTM A351 Gr. CF8/CF8M/CN7M
3	DISC	1	C.S. WITH 13% Cr. FACING S.S. 304/S.S. 316
4	SEAT RING	1	C.S. WITH 13% Cr. FACING INTEGRAL SEAT FOR ALLOY STEEL VALVE
5	ARM PIN	1	AISI 410, 304, 316, A-20
6	BRACKET	1	ASTM A216 Gr. WCB ASTM A351 Gr. CF8/CF8M/CN7M
7	LEVER ARM	1	ASTM A216 Gr. WCB ASTM A351 Gr. CF8/CF8M/CN7M
8	ARM NUT	1	C.S./S.S. 304/S.S. 316
9	GASKET	1	S.S. Spiral Wound /As. Reqd.
10	STUD NUT	As. Req.	ASTM A193 Gr. B7 ASTM A194 Gr. 2H

Applicable Class - 150 : Steel Valves, ANSI B16.34-1977, Standard Class
 Face to Face ANSI B16.10, End Flanges - ANSI B16.5
 Manufacturing Standard - BS - 1968. Testing Standard - API /596

SIZE	A	H	FLANGE φ	FLANGE THK	RAISED FACE φ	RAISED FACE THK	PCD	NO. OF HOLES	HOLE φ
40	145	90	127	17.5	73	1.6	96.4	4	15.9
50	203	115	152	19.0	92	1.6	120.6	4	19.0
65	216	121	178	22.2	105	1.6	139.7	4	19.0
80	241	127	190	23.6	127	1.6	152.4	4	19.0
100	292	140	229	23.6	157	1.6	190.5	8	19.0
150	406	185	279	25.4	216	1.6	241.2	8	22.2
200	495	210	343	28.0	270	1.6	289.4	8	22.2
250	622	248	406	30.0	324	1.6	352.0	12	25.4
300	899	300	483	32.0	381	1.6	432.0	12	25.4
Wgt. kg									
Qty									
Tag No.									

Code :	WCB
Material :	ASTM-A-216
Specification :	WCB
Test Pressure :	
Shell (Hydrostatic)	30 Kg/cm ²
Seat (Hydrostatic)	21 Kg/cm ²
Seat (Air)	5.5 Kg/cm ²

(All Dimensions in MM)

CUSTOMER _____
 ORDER NO _____
 JOB/PROJECT _____

REV

FOR APPROVAL FOR RECORD