

FLO-LINE CORPORATION

171/173, NAGDEVI STREET, 303, SK HOUSE, MUMBAI: 400003. (INDIA)
 TEL: +91-22-23453019. FAX: +91-22-23432440. EMAIL: flolinecorp@gmail.com

SCV # 300

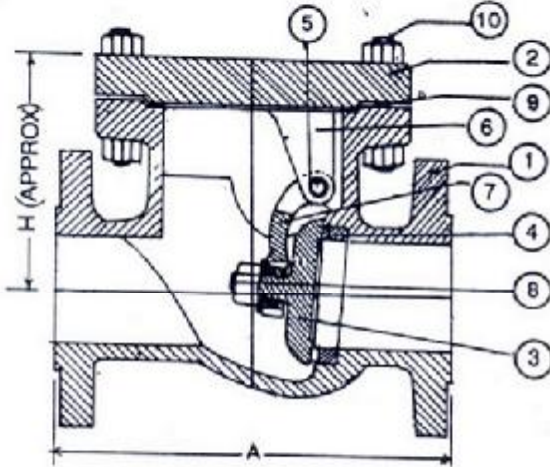


INDUSTRIAL VALVES

SWING CHECK VALVE - CLASS 300

DATE :

REF: DRG.NO. SCV-300



Sl. No	PART NAME	QTY	MATERIAL
1	BODY	1	ASTM A216 Gr. WCB ASTM A351 Gr. CF8/CF8M/CN7M
2	COVER PLATE	1	ASTM A216 Gr. WCB ASTM A351 Gr. CF8/CF8M/CN7M
3	DISC	1	C.S. WITH 13% Cr. FACING S.S. 304/S.S. 316
4	SEAT RING	1	C.S. WITH 13% Cr. FACING INTEGRAL SEAT FOR ALLOY STEEL VALVE
5	ARM PIN	1	AISI 410, 304, 316, A-20
6	BRACKET	1	ASTM A216 Gr. WCB ASTM A351 Gr. CF8/CF8M/CN7M
7	LEVER ARM	1	ASTM A216 Gr. WCB ASTM A351 Gr. CF8/CF8M/CN7M
8	ARM NUT	1	C.S./S.S. 304/S.S. 316
9	GASKET	1	S.S. Spiral Wound / As. reqd.
10	STUD NUT	As. Req.	ASTM A193 Gr. B7 ASTM A194 Gr. 2H

H' Nos 'K' Ø HOLES ON
 M' P.C.D DRILLED OFF CENTRE
 EQUISPACED

Applicable Class - 150 : Steel Valves, ANSI B16.34-1977, Standard Class
 Face to Face ANSI B16.10, End Flanges - ANSI B16.5
 Manufacturing Standard - BS - 1868. Testing Standard - API /598

SIZE	A	H	FLANGE φ	FLANGE THK	RAISED FACE φ	RAISED FACE THK	PCD	NO. OF HOLES	HOLE φ
40	229	95	156	20.6	73	1.6	114.3	4	22.2
50	267	110	165	22.2	92	1.6	127.0	8	19.0
65	292	130	190	25.4	105	1.6	149.2	8	22.2
80	318	140	210	28.6	127	1.6	188.3	8	22.2
100	356	160	254	31.8	157	1.6	200.0	8	22.2
150	445	210	318	38.5	218	1.6	269.9	12	22.2
200	533	230	381	41.3	270	1.6	330.2	12	22.2
250	622	260	445	48.0	324	1.6	387.4	16	32.0
300	711	318	521	51.0	361	1.6	451.0	16	28.5

Wgt. kg

Qty

Tag No.

Code :

WCB

Material :

ASTM-A-216

Specification :

WCB

Test Pressure :

Shell (Hydrostatic)

77 Kg/cm²

Seat (Hydrostatic)

53 Kg/cm²

Seat (Air)

5.5 Kg/cm²

(All Dimensions in MM)

CUSTOMER :

ORDER NO :

JOB/PROJECT :

REV

FOR APPROVAL FOR RECORD